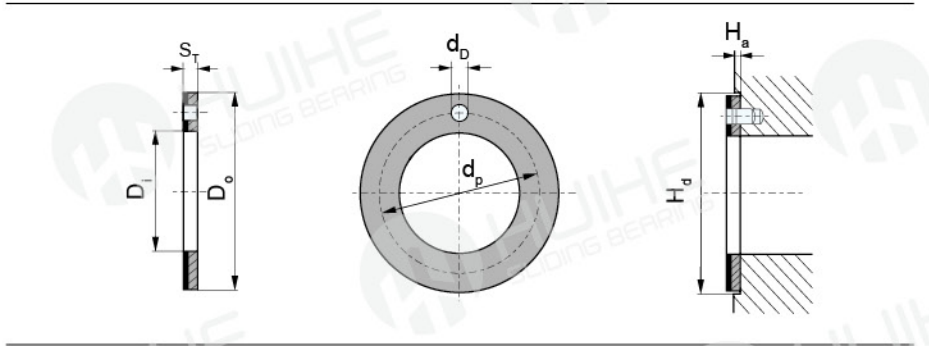
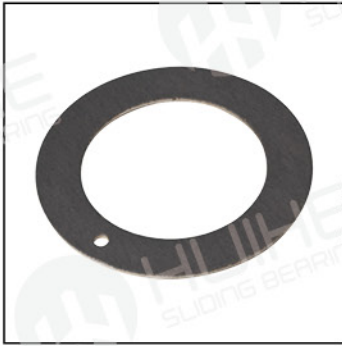


SF-1WC 垫片规格及公差 SF-1WC Thrust Washer Specification & Tolerance

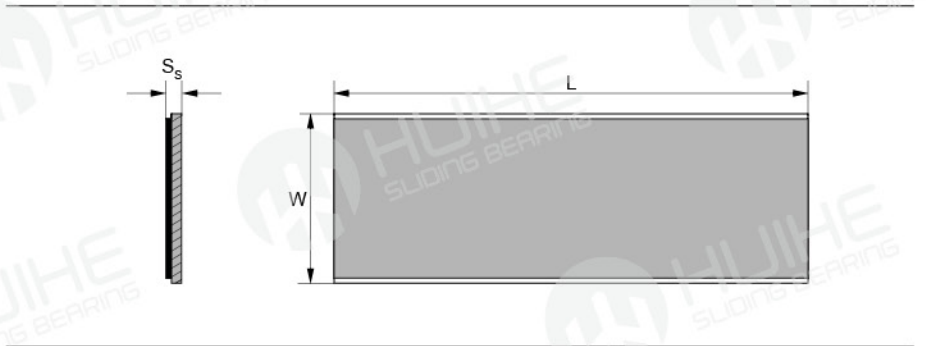
www.huihebearing.com



单位Unit: mm

轴径 Shaft D_s	型号规格 Standard No.	垫片尺寸 Washer size				安装尺寸 Assemble size		$H_d+0.12$																
		$D_i+0.25$	$D_o-0.25$	$S_T-0.05$	$d_p \pm 0.125$	$d_D^{+0.4}_{+0.1}$	$H_a \pm 0.2$																	
8	W10	10	20	1.5	15	1.5	1	20																
10	W12	12	24		18			2	1	24														
12	W14	14	26		20					3	1	26												
14	W16	16	30		23							4	1.5	30										
16	W18	18	32		25	4	1.5	32																
18	W20	20	36		28			4	1.5	36														
20	W22	22	38		30					4	1.5			38										
22	W24	24	42		33									4	1.5	42								
24	W26	26	44		35											4	1.5	44						
26	W28	28	48		38													4	1.5	48				
30	W32	32	54		43															4	1.5	54		
36	W38	38	62		50																	4	1.5	62
40	W42	42	66		54																			2
46	W48	48	74		61	2	1.5	74																
50	W52	52	78	65	2			1.5	78															
60	W62	62	90	76					2	1.5	90													

SF-1SP 板材规格及公差 SF-1SP Strip Specification & Tolerance



单位Unit: mm

型号规格 Standard No.	长度 $L \pm 1$	宽度 $W \pm 1$	厚壁 Wall thickness $S_s-0.05$
SP	500	150	1.0
SP	500	150	1.5
SP	500	150	2.0
SP	500	150	2.5